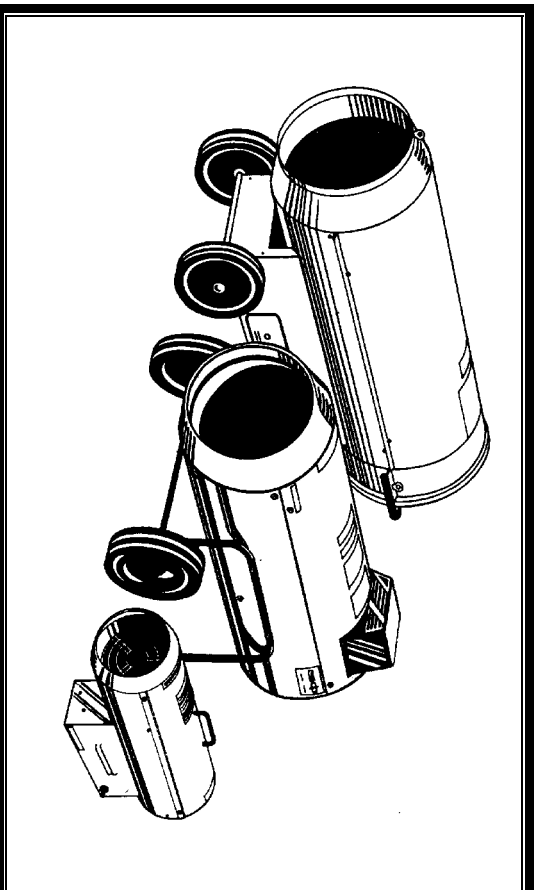


OPERATING & MAINTENANCE MANUAL

INDUSTRIAL DIRECT GAS FIRED PROPANE HEATERS

JET FIRE

J8 J15 J25 J25A J33 J33A
J50A J70A J90A J90SA



THIS HEATER IS APPROVED FOR INDUSTRIAL USE ONLY

Made By:

SPITWATER
AUSTRALIA

Spitwater Australia Pty Ltd
953 Melby St
North Albury , NSW , Australia

WARNING:

FAILURE TO FOLLOW OPERATING, SAFETY AND MAINTENANCE INSTRUCTIONS LISTED IN THIS MANUAL RELEASES THE MANUFACTURER FROM ANY RESPONSIBILITY FOR ACCIDENTS OR DAMAGES TO BOTH HUMANS AND OBJECTS AND MAY RENDER ANY WARRANTY VOID

TECHNICAL DATA

(Manual & Automatic)

MODEL	J8	J15	J25	J33	J50	J70	J90	J90SA
Fuel Supply	Propane	Propane	Propane	Propane	Propane	Propane	Propane	Propane
Gas Pressure	kpa 150	150	150	150	150	150	150	200
Gas Consumption Min/Max	kg/h 0.7	1.2	1.4/2.0	1.8/2.6	2.9/4.1	3.9/5.6	4.9/8.1	4.9/8.1
Heat Input	MJ/h 34 kcal/h 8000	63 15000	106 25000	125 33000	205 50000	282 68000	378 90000	378 90000
Air Flow	L/s 84	139	195	237	834	834	834	2223
Electricity Supply	V/∅/Hz 220-240/1/50-60	220-240/1/50-60	220-240/1/50-60	220-240/1/50-60	220-240/1/50-60	220-240/1/50-60	220-240/1/50-60	220-240/1/50-60
Motor	W/A/RPM 271/0.19/1300	271/0.19/1300	100/0.75/1300	100/0.75/1300	150/1.0/2800	150/1.0/2800	150/1.0/2800	75/0.6/1/1400
Limit Thermostat	°C 100±5	100±5	100±5	100±5	100±5	100±5	100±5	100±5
Air Proving Switch	-	-	20g	20g	20g	20g	20g	20g
Minimum Room Volume	m ³ 160	300	500	660	1000	1400	2000	2000
Jet Size	mm 0.55	0.7	1.1	1.25	1.6	1.9	2.3	2.3
Weight	kg 6.1	8.2	15	16.4	28	34	38.5	51
Dimensions L x W x H	mm 450x210x330	500x240x370	670x330x520	730x330x520	995x390x590	1040x390x590	1040x390x590	1270x610x838

The manufacturer reserves the right to modify design features and technical data without notice.

INTRODUCTION

The JETFIRE range of portable heaters has been designed to give safe, efficient and reliable service when the correct operating sequences are followed and proper attention is given to cleaning and maintenance procedures. This manual is to provide up to date information necessary to the user/serviceperson for operating, cleaning and servicing the heaters, together with fault finding techniques and general specifications details and diagrams. Please note that the information given herein after may be subject to revision in compliance with the policy of continual improvements. The JETFIRE range of heaters should only be used in the manner and purpose for which they were intended and in accordance with the recommendations and safety precautions detailed in the following Manual and in the Operating Instructions stickers on the unit itself.

All JETFIRE heaters undergo rigorous safety and operational tests before being despatched into the marketplace however it is still imperative that prior to use, all operators have read and understood all information and instructions provided and are aware of possible hazards.

IMPORTANT SAFETY INSTRUCTIONS & PRECAUTIONS

This booklet contains important information for the use and safe operation of this heater. Please read and understand all warnings before you start using the unit.

WARNING: When using this heater:

1. Read all instructions before using this heater.
2. Know how to start and stop the unit. Be quite familiar with the controls.
3. Follow the maintenance procedures and fault finding techniques outlined in the manual.
4. Do not restrict under any circumstances either the inlet or outlet end of the heater.
5. Do not operate this heater in basements or below ground.
6. Permanent ventilation to the outside atmosphere must be provided as listed in the technical specifications divided equally between floor and high levels.
7. Allow a minimum room size as listed in the technical specifications.
8. The heater must not be used in close proximity to combustible material. A guard must be placed 900mm away from the heater outlet to prevent the approach of combustible materials.
9. Under no circumstances should the heater hot air flow be directed towards the gas cylinder even if the cylinder is 'FREEZING'.
10. Installation and storage of gas cylinders must be in accordance with local regulations.
11. Read carefully the instructions concerning earthing and gas cylinders. Use only propane vapour off-take cylinders.
12. Do not pull on the electrical cord in order to unplug the unit.
13. Do not effect temporary repairs on worn or damaged electrical cords and plugs. Have worn, cut or damaged cords and plugs replaced by an authorised service person/electrician.
14. To prevent injury always disconnect the power plug before disassembling any part of the heater, effecting any servicing or when the unit is not in use.
15. Local regulations should be followed as to the installation of industrial heaters.

ELECTRICITY SUPPLY

The JETFIRE range of heaters is designed to run off 220-240V Single Phase 50-60Hz electrical supply. The unit should be plugged into a 10A outlet.

WARNING: This appliance must be earthed.

Note: If the Plug needs to be replaced to suit local requirements a qualified electrician should carry out the replacement taking care to earth the unit and maintain the correct phase connection as per the wiring diagram.

GAS SUPPLY

If the heater is run continuously on full output frost might form on the GAS cylinder indicating it is starting to "FREEZE". This condition is caused by excessive vapour withdrawal and can be overcome by using various sizes of cylinders or multiple cylinder combinations.

To minimise the "FREEZING" effect we suggest our heaters be connected to a minimum size and quantity of Gas cylinders as follows:

- J8/15 1 X 9KG CYLINDER (Minimum only – increase bottle size/number if using in low temperatures)
- J25/33 1 X 45KG CYLINDER (Minimum only – increase bottle size/number if using in low temperatures)
- J50/70/90 3 X 45KG CYLINDERS (Minimum only – increase bottle size/number if using in low temperatures)

UNDER NO CIRCUMSTANCES SHOULD THE HOT AIR FLOW FROM THE HEATER BE DIRECTED TOWARDS THE GAS CYLINDER TO AVOID THIS "FREEZING".

WARNING:

Propane Gas Cylinders must be installed and stored in accordance with current local requirements.
Propane Gas Cylinders should always be installed connected and replaced in a flame free atmosphere.
Use Propane vapour off-take cylinders only.

INSTALLATION AND OPERATING INSTRUCTIONS

INSTALLATION (All Models)

1. Identify your unit from the model description on the serial number label affixed to the heater and the exploded views contained in this manual. (ALL NUMBERED REFERENCES APPLY TO EXPLODED VIEW OF UNIT)
2. Connect gas supply hose (13) to gas cock nipple on heater (14). **Make sure the gas supply hose is not under torsional stress as this may damage the hose.**
3. Connect gas pressure regulator pol adaptor nut (10) to GAS cylinder. NOTE connection has Left Hand Thread.
4. Check gas connections, turn on gas supply and test for leaks. (See Maintenance and Fault Finding Procedures).
5. Connect Power Plug (18) to Mains Power Outlet.
6. **AAS MODELS.** Check that the Phase Indicator Light (73) is not on. If it is on it means that the phase is inverted either in the power outlet or in the extension cord being used and will cause the unit to go into 'lock out' after the ignition cycle. Please contact an authorised electrician to rectify the extension cord/power outlet so that the light is off.

OPERATING INSTRUCTIONS (Manual Models)

TO START & USE

1. Turn Gas Supply on at Cylinder.
2. Turn gas cock (15) to the Open position.
3. Turn power switch (16) to On position. **Ensure fan is rotating.**
4. Depress gas relay valve knob (22) and at the same time depress piezo ignitor knob (17) repeatedly until ignition has occurred. Maintain the gas relay knob depression for a minimum of 30 seconds after which the burner will remain lit and the heater is in normal operation.
5. **WHERE FITTED.** Adjust the Regulator (38) to the desired setting.

TO STOP (NORMAL OPERATION)

1. Turn gas cock (15) to the closed position.
2. After allowing the fan only to run for 5 minutes for cool-down turn the power switch (16) to the Off position.
3. Turn Gas Supply off at Cylinder
4. Remove the electrical plug from the mains power socket.

TO STOP (EMERGENCY SHUTDOWN)

1. Turn power switch (16) to the Off position
2. Turn gas supply off at the Cylinder
3. Turn gas cock (15) to the Closed position
4. Remove the electrical plug from the mains power socket.
5. Make sure that before restarting the heater the cause of the emergency has been rectified/removed.

Note: If the Heater is not to be used for a long period of time disconnect from power supply and gas bottle.

OPERATING INSTRUCTIONS – SUMMER VENTILATION (ALL MODELS)

1. Turn power switch (16) to the On position. (On A/SA models, turn power switch to the FAN position). After use turn to Off position and remove plug from electrical outlet.

NOTE: Do not connect Gas Supply when the heater is being used as a summer ventilator.

OPERATING INSTRUCTIONS (Automatic Models)

TO START & USE

1. Turn gas supply on at Cylinder.
2. Turn gas cock (15) to the Open position.
3. **WHERE FITTED.** This unit can be fitted with a thermostat. If required please contact your service agent for further information. Set operating temperature to the desired position on the thermostat.
4. Turn power switch (16) to the Flame position. This will start the ignition cycle for the electronic flame control box which after a pre-purge period will allow gas flow and automatically ignite.
5. **WHERE FITTED.** Adjust the Regulator (38) to the desired setting.

TO STOP (NORMAL OPERATION)

1. Turn power switch (16) to the Fan position. After allowing the fan only to run for 5 minutes for cool-down turn to Off position.
2. Turn gas cock (15) to the Closed position
3. Turn gas supply off at the Cylinder
4. Remove the electrical plug from the mains power socket.

TO STOP (EMERGENCY SHUTDOWN)

1. Turn power switch (16) to the Off position.
2. Turn gas supply off at the Cylinder.
3. Turn gas cock (15) to the Closed position.
4. Remove the electrical plug from the mains power socket.
5. Make sure that before restarting the heater the cause of the emergency has been rectified/removed

MAINTENANCE AND FAULT FINDING PROCEDURES

WARNING: ALWAYS ISOLATE UNIT FROM THE ELECTRICAL SUPPLY BEFORE ATTEMPTING ANY REPAIRS OR MAINTENANCE.

TROUBLESHOOTING GUIDE

FAULT	CAUSE	AUTOMATIC MODELS	MANUAL MODELS
A	The motor does not start	1-2-3-4-5-7-17-18	1-2-3-5-7
B	The heater stops and the lockout light (11) comes on	6-8-9-10-17	
C	The fan turns but the heater cannot be ignited	11-17-18	8-9-10-11-13-17-18
D	The flame stops after letting go of the gas relay valve knob (22)		10-13-14-17
E	Gas flow is interrupted. The flame extinguishes	10-11-17	10-11-17
F	The heater consumes too much gas	15-16	15-16
G	The heater stops completely	4-12	12

FAULT CORRECTION

THE MANUFACTURER RECOMMENDS THAT ALL REPAIRS AND MAINTENANCE WORK BE CARRIED OUT BY A QUALIFIED TECHNICIAN.

CAUSE

1.	Electricity Supply is faulty	<ul style="list-style-type: none"> • Check the power plug is plugged in. • Check that electricity supply is available
2.	The motor is blocked/faulty	<ul style="list-style-type: none"> • Check and replace as necessary
3.	The fan is blocked/damaged	<ul style="list-style-type: none"> • Check and replace as necessary
4.	IF FITTED (AUTOMATIC ONLY) <ul style="list-style-type: none"> • The thermostat setting is incorrect • The thermostat plug is not plugged in • The thermostat/thermostat connection is loose/faulty 	<ul style="list-style-type: none"> • Adjust thermostat accordingly • Plug the thermostat plug into the appropriate socket • Check and replace as necessary
5.	Switch/switch connections is/are faulty/loose	<ul style="list-style-type: none"> • Check and replace as necessary
6.	Power Socket/Extension cord/plug incorrectly wired (Phase indicator light (73) is on)	<ul style="list-style-type: none"> • Rewire plug/extension cord/power socket if necessary and check that phase indicator light is off
7.	Limit thermostat is faulty	<ul style="list-style-type: none"> • Reset Limit thermostat (WHERE FITTED) • Check for continuity in Limit thermostat connection
8.	Gas pressure/flow absent before solenoid valve	<ul style="list-style-type: none"> • Check that the gas supply is on at the cylinder • Check that the gas cylinder(s) is/are full and not 'frozen' • Check that the gas cock is in the open position and operating correctly
9.	Solenoid valve does not open	<ul style="list-style-type: none"> • Check the solenoid valve and its connection • Adjust or replace as necessary • Check the Limit thermostat
10.	Flame detecting probe and/or ignition electrode are not adjusted or working properly	<ul style="list-style-type: none"> • Check and adjust or replace as necessary
11.	Inlet/outlet grill or inside of heater is dirty or partially blocked	<ul style="list-style-type: none"> • Check and clean as necessary
12.	Limit thermostat cuts in interrupting the heater	<ul style="list-style-type: none"> • Reset Limit thermostat (WHERE FITTED) • Check if the inlet/outlet grill are dirty or blocked, clean as necessary • Check that airflow in and out of the heater is not impeded
13.	Gas relay valve/thermocouple is faulty	<ul style="list-style-type: none"> • Check and replace as necessary (Make sure when starting that the Gas relay valve button is kept pressed for 30 seconds after ignition)
14.	Thermocouple is not properly adjusted	<ul style="list-style-type: none"> • Check thermocouple positioning and adjust accordingly
15.	Pressure regulator is faulty	<ul style="list-style-type: none"> • Check and replace as necessary
16.	There is a leak in the gas delivery line	<ul style="list-style-type: none"> • Immediately close gas supply at bottle. Check hose and unions in the delivery line are tight (Use a soap solution to locate leaks – NEVER USE A NAKED FLAME)
17.	Control box faulty	<ul style="list-style-type: none"> • Check and replace as necessary
18.	Air Proving switch (29) is faulty (WHERE FITTED)	<ul style="list-style-type: none"> • Check and replace as necessary

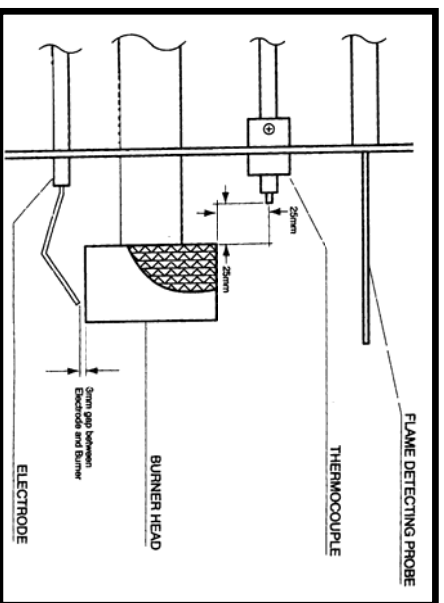
MAINTENANCE

After every heating season, or sooner if used in a dirty environment, carry out the following maintenance procedures on your heater.

GENERAL

Disconnect the heater from the electricity main power socket and from the gas cylinder. Remove the screws retaining the cover and remove the cover.

BURNER SERVICE



Remove the retaining clip (39) and remove the gas jet assembly from its seat. Remove the gas jet (40). Check it and clean it by blowing in the opposite direction to the gas flow.

Remove the combustion chamber assembly (be careful to remove all screws/bolts and electrical connections holding it to the rest of the heater) and remove the burner head assembly from it. Clean the burner head assembly by using an airline. Where fitted check the flame detecting probe, ignition electrode and thermocouple for positioning, wear and cracks referring to the drawing attached.

MAINTENANCE

Check and clean (or replace if necessary) the filter fitted in the nipple (14) of the heater. Reassemble the above using reverse order and remake any threaded joints in the gas line using Loctite 577.

GAS SUPPLY

Check the tightness on the gas supply hose and check pipe connections in the gas line. PROPANE gas has a distinctive smell and leaks can usually be detected immediately by this fact. If a leak is suspected extinguish all naked flames and close the cylinder valve. **Never look for a leak using a naked flame but trace by smell and confirm by brushing a soap solution over the suspected leak.** Remake any threaded joint in the gas line using Loctite 577.

ELECTRICAL

Check that the motor fixing bolts are tight and make sure that the fan fixing screw at the fan boss is tight.
Check the limit thermostat junction for continuity. Check that all electrical connections are tight and in good condition.

GENERAL

Reassemble the heater making sure all screws and fittings are tight. Reconnect and start the heater following the installation and operating instructions. Test the heater for correct operation making sure that all safety mechanisms (where fitted) thermocouple, flame detecting probe, air proving switch, limit thermostat) are operating correctly.

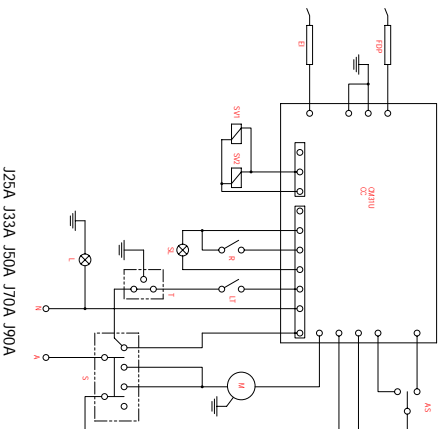
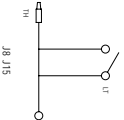
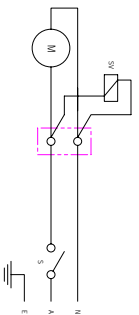
LEGEND

A ACTIVE
 AS AIR PROVING SWITCH
 CC COMBUSTION CONTROL BOX
 EI IGNITION ELECTRODE
 FDP FLAME DETECTING PROBE
 L PHASE WARNING LIGHT

LT LIMIT THERMOSTAT
 M FAN MOTOR
 N NEUTRAL
 R RESET
 RL RELAY
 S SWITCH

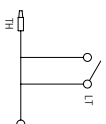
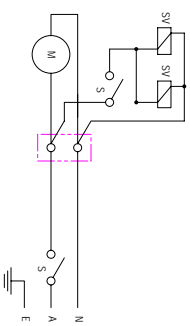
SL LOCKOUT WARNING LIGHT
 SV SOLENOID VALVE
 T THERMOSTAT SOCKET
 TH THERMOCOUPLE

A ACTIVE
 LT LIMIT THERMOSTAT
 M FAN MOTOR
 N NEUTRAL
 R RESET
 SV SOLENOID VALVE
 TH THERMOCOUPLE

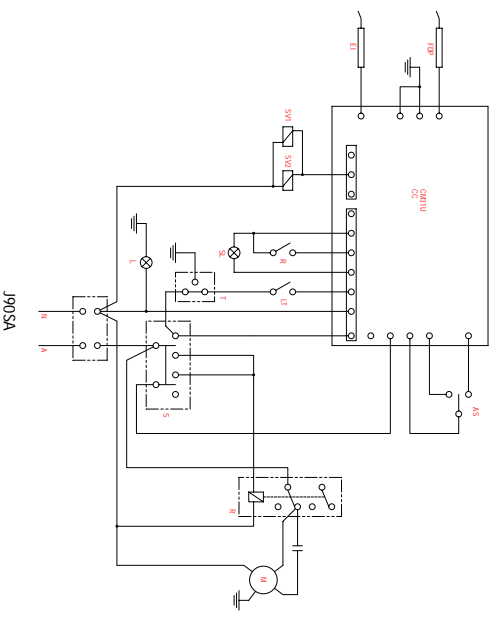


J25A J33A J50A J70A J90A

A ACTIVE
 AS AIR PROVING SWITCH
 LT LIMIT THERMOSTAT
 M FAN MOTOR
 N NEUTRAL
 R RESET
 SV SOLENOID VALVE
 TH THERMOCOUPLE



J25 J33 A4U4Z

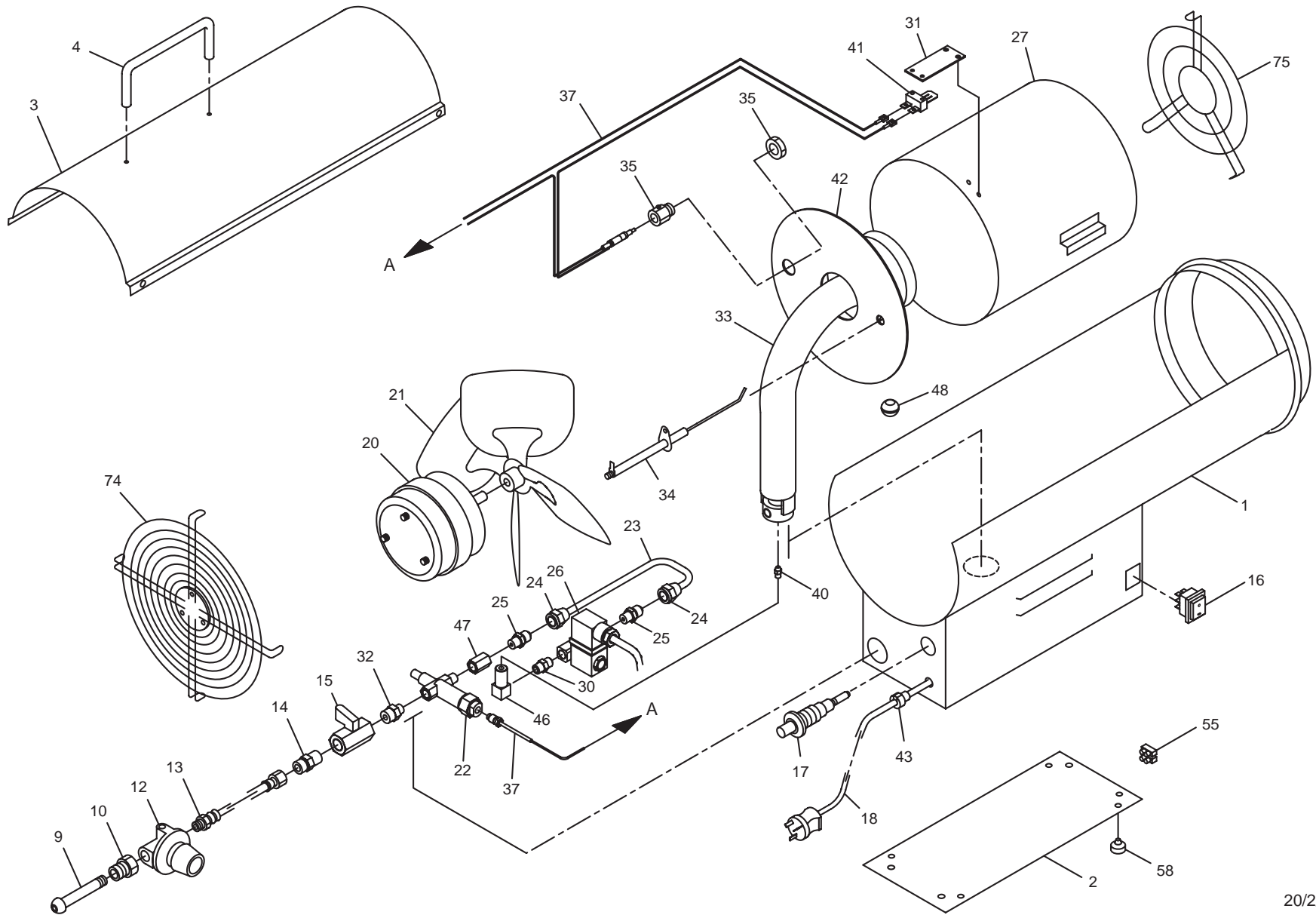


J90SA

SPARE PARTS LISTING

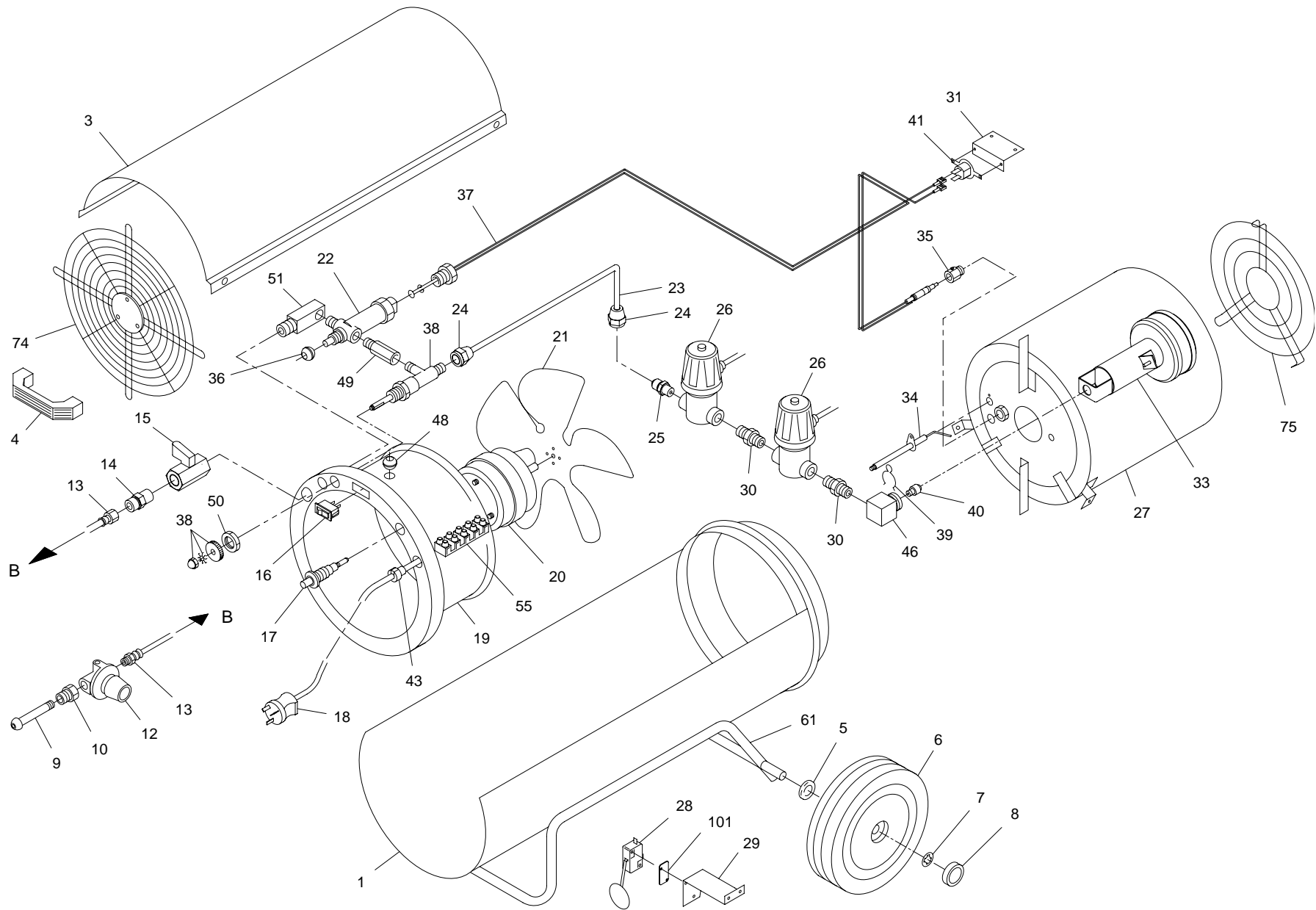
POS	DESCRIPTION	Q	J8	Q	J15	Q	J25	Q	J25A	Q	J33	Q	J33A	Q	J50A	Q	J70A	Q	J90A	Q	J90SA
			SP200		SP210		SP100		SP101		SP102		SP103		SP111		SP107		SP108		SP109
1	BODY/*	1	20024/A	1	20124/A	1	33206/*	1	33206/*	1	33207/*	1	33207/*	1	33284/*	1	33220/*	1	33220/*	1	33261/*
2	BOTTOM ELEC/ BOX/*	1	20019/*	1	20019/*	=	-	=	-	=	-	=	-	=	-	=	-	=	-	1	33445
3	COVER/*	1	20001/*	1	20101/*	1	33222/*	1	33223/*	1	33225/*	1	33226/*	1	33373/*	1	33228/*	1	33228/*	1	33262/*
4	HANDLE	1	20002	1	20002	1	33273	1	33273	1	33273	1	33273	1	33273	1	33273	1	33273	=	-
5	WASHER	=	-	=	-	=	-	=	-	=	-	=	-	2	70200/I	2	70200/I	2	70200/I	=	-
6	WHEEL	=	-	=	-	2	33230	2	33230	2	33230	2	33230	2	33231	2	33231	2	33231	2	33265
7	HUB CAP	=	-	=	-	2	33230/B	2	33230/B	2	33230/B	2	33230/B	2	33230/B	2	33230/B	2	33230/B	2	33265C
8	HUB CAP COVER	=	-	=	-	2	33230/C	2	33230/C	2	33230/C	2	33230/C	2	33230/C	2	33230/C	2	33230/C	2	33265B
9	POL ADAPTOR / *	1	33009/*	1	33009/*	1	33009/*	1	33009/*	1	33009/*	1	33009/*	1	33009/*	1	33009/*	1	33009/*	1	33009/*
10	POL ADAPT. NUT / *	1	33010/*	1	33010/*	1	33010/*	1	33010/*	1	33010/*	1	33010/*	1	33010/*	1	33010/*	1	33010/*	1	33010/*
11	RESET BUTTON	=	-	=	-	=	-	1	33205	=	-	1	33205	1	33205	1	33205	1	33205	1	33205
12	PRESSURE REG.	1	20009/A	1	20009/A	1	20009/A	1	20009/A	1	20009/A	1	20009/A	1	20009/A	1	20009/A	1	20009/A	1	20009/B
13	GAS SUPP. HOSE / *	1	33013/*	1	33013/*	1	33013/*	1	33013/*	1	33013/*	1	33013/*	1	33013/*	1	33013/*	1	33013/*	1	33013/*
14	NIPPLE 1\4M - 1\4M	1	33014	1	33014	1	33014	1	33014	1	33014	1	33014	1	33014	1	33014	1	33014	1	33014
15	GAS COCK	1	33244/A	1	33244/A	1	33244/A	1	33244/A	1	33244/A	1	33244/A	1	33244/A	1	33244/A	1	33244/A	1	33244/A
16	FAN SWITCH	1	33016/A	1	33124/A	1	33124/A	1	33124	1	33124/A	1	33124	1	33124	1	33124	1	33124	1	33124
17	IGNITOR	1	33017/A	1	33017/A	1	33017/A	=	-	1	33017/A	=	-	=	-	=	-	=	-	=	-
18	MAIN CABLE / *	1	33018/*	1	33018/*	1	33018/*	1	33018/*	1	33018/*	1	33018/*	1	33018/*	1	333018/*	1	33018/*	1	33018/*
19	MOTOR MOUNTING/*	=	-	=	-	1	33344/A	1	33357/A	1	33344/A	1	33357/A	1	33358/B	1	33358/B	1	33358/B	=	-
20	MOTOR/*	1	20004/*	1	20004/*	1	33108/A	1	33108/A	1	33108/A	1	33108/A	1	50006/*	1	50006/*	1	50006/*	1	33252/A
21	FAN	1	20005	1	20105	1	33110/A	1	33110/A	1	33021/A	1	33021/A	1	33427/A	1	33427/A	1	50007	1	33252/C
22	GAS RELAY VALVE	1	33245	1	33245	1	33290	=	-	1	33290	=	-	=	-	=	-	=	-	=	-
23	GAS PIPE	1	20132	1	20132	1	33371	1	33371	1	33370	1	33370	1	33359	1	33360	1	33361	1	33267
24	NUT 7/16 X 24	2	33088	2	33088	2	33088	2	33088	2	33088	2	33088	2	33088	2	33088	2	33088	2	33088
25	NIPPLE 7/16 X 24-1/8	2	33089	2	33089	1	33089	1	33089	1	33089	1	33089	1	33089	1	33089	1	33089	=	-
26	CABLE SOL/VALVE	1	33214/C	1	33214/C	2	33214/C	2	33214/C	2	33214/C	2	33214/C	2	33214/C	2	33214/C	=	-	=	-
26	SOL/VALVE ./*	1	33214/B	1	33214/B	2	33214/B	2	33214/B	2	33214/B	2	33214/B	2	33214/B	2	33214/B	2	33214	2	33214
27	COMBUSTION/ C	1	20025	1	20125	1	33347	1	33347	1	33348	1	33348	1	33343	1	33233	1	33132	1	33285/A
28	AIR PROV. SWITCH	=	-	=	-	1	33028	1	33028	1	33028	1	33028	1	50016	1	50016	1	50016	1	33129
29	AIR PROV/SW. BR.	=	-	=	-	1	33323	1	33323	1	33323	1	33323	1	33327	1	33327	1	33327	1	33329
30	NIPPLE 1/8 - 1/8	1	33030	1	33030	2	33030	2	33030	2	33030	2	33030	2	33030	2	33030	2	33030	3	33030
31	BR.LIMIT THERM	1	20021/A	1	20021/A	1	20021/A	1	20021	1	20021/A	1	20021	1	20021	1	20021	1	20021	1	20021
32	NIPPLE 1/4-1/8	1	20030	1	20030	=	-	=	-	=	-	=	-	=	-	=	-	=	-	=	-
33	BURNER ASSEMBLY	1	20026/A	1	20126/A	1	33215	1	33215	1	33215	1	33215	1	33369	1	33369	1	33234	1	33274
34	ELECTRODE	1	20027	1	20027	1	20027	1	33317	1	20027	1	33317	1	33317	1	33317	1	33317	1	33317
35	THERM. HOLDER	1	20015	1	20015	1	20015	=	-	1	20015	=	-	=	-	=	-	=	-	=	-
36	GROMMET	=	-	=	-	1	33368	=	-	1	33368	=	-	=	-	=	-	=	-	2	33368
37	THERMOCOUPLE	1	20010/A	1	20010/A	1	20010/A	=	-	1	20010/A	=	-	=	-	=	-	=	-	=	-
38	STOPCOCK RBS	=	-	=	-	1	33351	1	33351	1	33352	1	33352	1	33365	1	33366	1	33367	1	33340

POS	DESCRIPTION		J8		J15		J25		J25A		J33		J33A		J50A		J70A		J90A		J90SA
			SP200		SP210		SP100		SP101		SP102		SP103		SP111		SP107		SP108		SP109
39	RETAINING CLIP	=	-	=	-	1	33039	1	33039	1	33039	1	33039	1	33039	1	33039	1	33039	1	33039
40	GAS JET	1	20029/065	1	20129/085	1	33349/1.2	1	33349/1.2	1	33350/1.35	1	33350/1.35	1	33362/1.7	1	33363/2	1	33364/2.2	1	33270/2.2
41	LIMIT THERMOSTAT	1	33041/B	1	33041/B	1	33041/B	1	33041	1	33041/B	1	33041	1	33041	1	33041	1	33041	1	33041
42	BURNER SUPPORT	1	20011	1	20111	=	-	=	-	=	-	=	-	=	-	=	-	=	-	=	-
43	CABLE GLAND	1	20012	1	20012	1	20012	1	20012	1	20012	1	20012	1	20012	1	20012	1	20012	1	48417/E
44	THERM. PLUG	=	-	=	-	=	-	1	100262	=	-	1	100262	1	100262	1	100262	1	100262	1	100262
45	THERMOSTAT SOCK.	=	-	=	-	=	-	1	100261	=	-	1	100261	1	100261	1	100261	1	100261	1	100261
46	NOZZLE HOLDER	1	20028	1	20028	1	33046	1	33046	1	33046	1	33046	1	33046	1	33046	1	33046	1	33046
47	SOCKET 1/8 BSP	1	20032	1	20032	=	=	=	=	=	=	=	=	=	=	=	=	=	=	=	=
48	GROMMET	2	48431	2	48431	1	48434	1	48434	1	48434	1	48434	1	48434	1	48434	1	48434		
49	RED. NIPPLE 1/8M-8F	=	-	=	-	1	33353	1	33353	1	33353	1	33353	1	33353	1	33353	1	33353	1	33353
50	NUT 1/4	=	-	=	-	1	33354	1	33354	1	33354	1	33354	1	33354	1	33354	1	33354	=	-
51	ELBOW 1/4M-1/8F	=	-	=	-	1	33355	1	33355	1	33355	1	33355	1	33355	1	33355	1	33355	1	33355
53	THERMOSTAT(OP.)	=	-	=	-	=	-	1	33082	=	-	1	33082	1	33082	1	33082	1	33082	1	33082
54	ELBOW 7/16 X1/8F	=	-	=	-	=	-	=	-	=	-	=	-	=	-	=	-	=	-	1	33240
55	TERMINAL BLOCK	1	20023	1	20023	1	33356	1	33045	1	33356	1	33045	1	33045	1	33045	1	33045	1	33045
58	BUFFER DISC	4	33296	4	33296	=	-	=	-	=	-	=	-	=	-	=	-	=	-	=	-
59	FLAME DET.PROBE	=	-	=	-	=	-	1	33066	=	-	1	33066	1	33066	1	33066	1	33066	1	33066
60	CONTROL BOX/*	=	-	=	-	=	-	1	33068/A	=	-	1	33068/A	1	33068/A	1	33068/A	1	33068/A	1	33068/A
61	FRAME WHEEL SUP.	=	-	=	-	1	33341	1	33341	1	33341	1	33341	1	33342	1	33342	1	33342	1	33264
62	CONTROL BOX COV.	=	-	=	-	=	-	1	33076/A	=	-	1	33076/A	1	33076/B	1	33076/B	1	33076/B	1	100124
73	LIGHT	=	-	=	-	=	-	1	33125	=	-	1	33125	1	33125	1	33125	1	33125	1	33125
74	INLET GRILL	1	20003	1	20103	1	33060	1	33060	1	33060	1	33060	1	33431	1	33431	1	33431	1	33252/D
75	OUTLET GRILL	1	20008	1	20108	1	33061	1	33061	1	33061	1	33061	1	50012	1	50012	1	50012	1	33272
76	OUTER CYL. C/C	=	-	=	-	=	-	=	-	=	-	=	-	1	33434	1	33433	1	33288	1	33249
77	PLATE BURNER M.	=	-	=	-	=	-	=	-	=	-	=	-	=	-	=	-	=	-	1	33250
79	MOTOR/FAN ASS.	=	-	=	-	=	-	=	-	=	-	=	-	=	-	=	-	=	-	1	33252
80	RELAY	=	-	=	-	=	-	=	-	=	-	=	-	=	-	=	-	=	-	1	33253
81	SWITCH HOUS/COV	=	-	=	-	=	-	=	-	=	-	=	-	=	-	=	-	=	-	1	33269
82	SWITCH HOUSING	=	-	=	-	=	-	=	-	=	-	=	-	=	-	=	-	=	-	1	33268
83	CAPACITOR	=	-	=	-	=	-	=	-	=	-	=	-	=	-	=	-	=	-	1	33252/B
87	SUPPORT BRACK.	=	-	=	-	=	-	=	-	=	-	=	-	=	-	=	-	=	-	4	33282
101	INSULATOR	=	-	=	-	1	33135	1	33135	1	33135	1	33135	1	33135	1	33135	1	33135	1	33135
	NB:/* specify nation																				

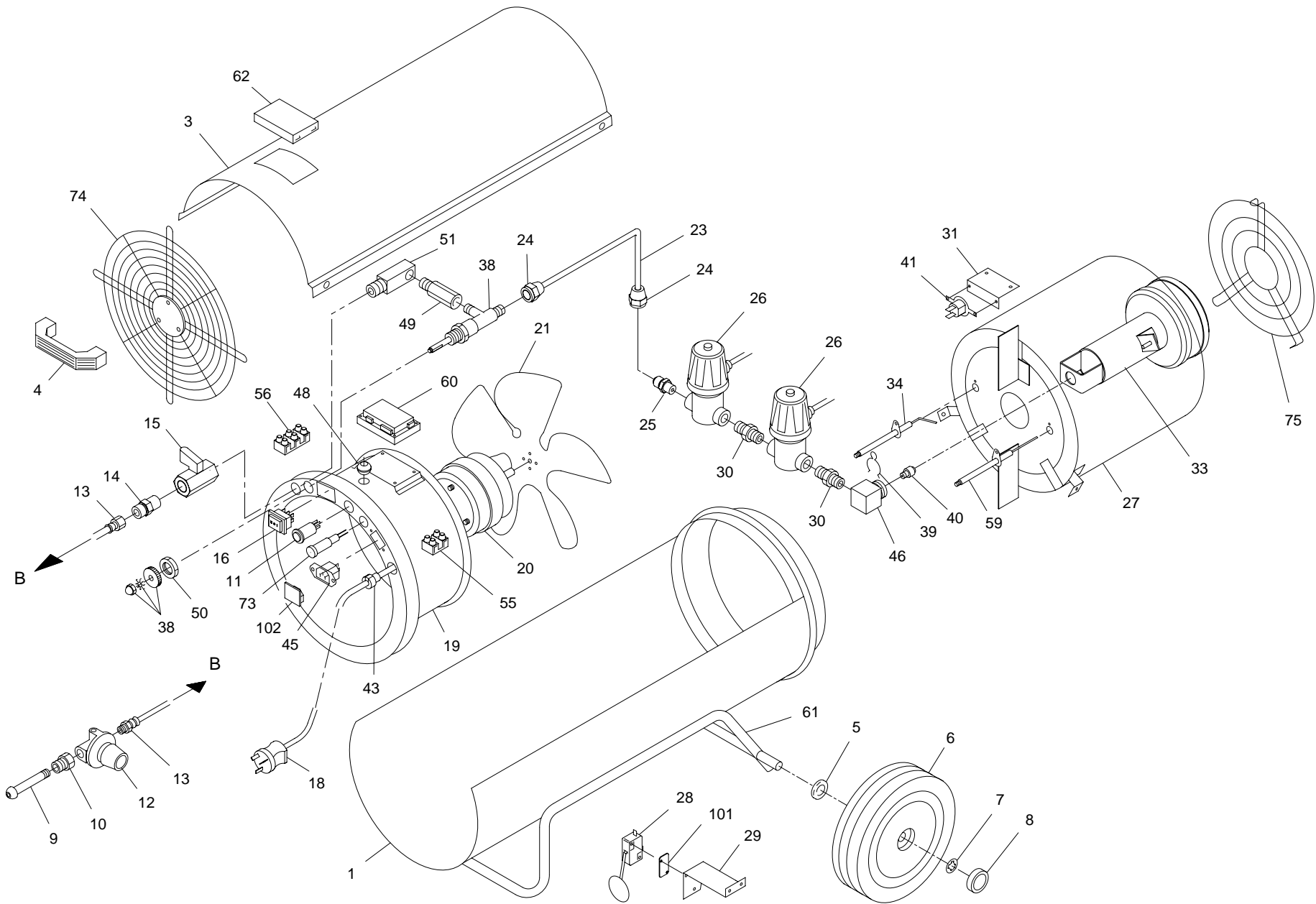


20/2/07

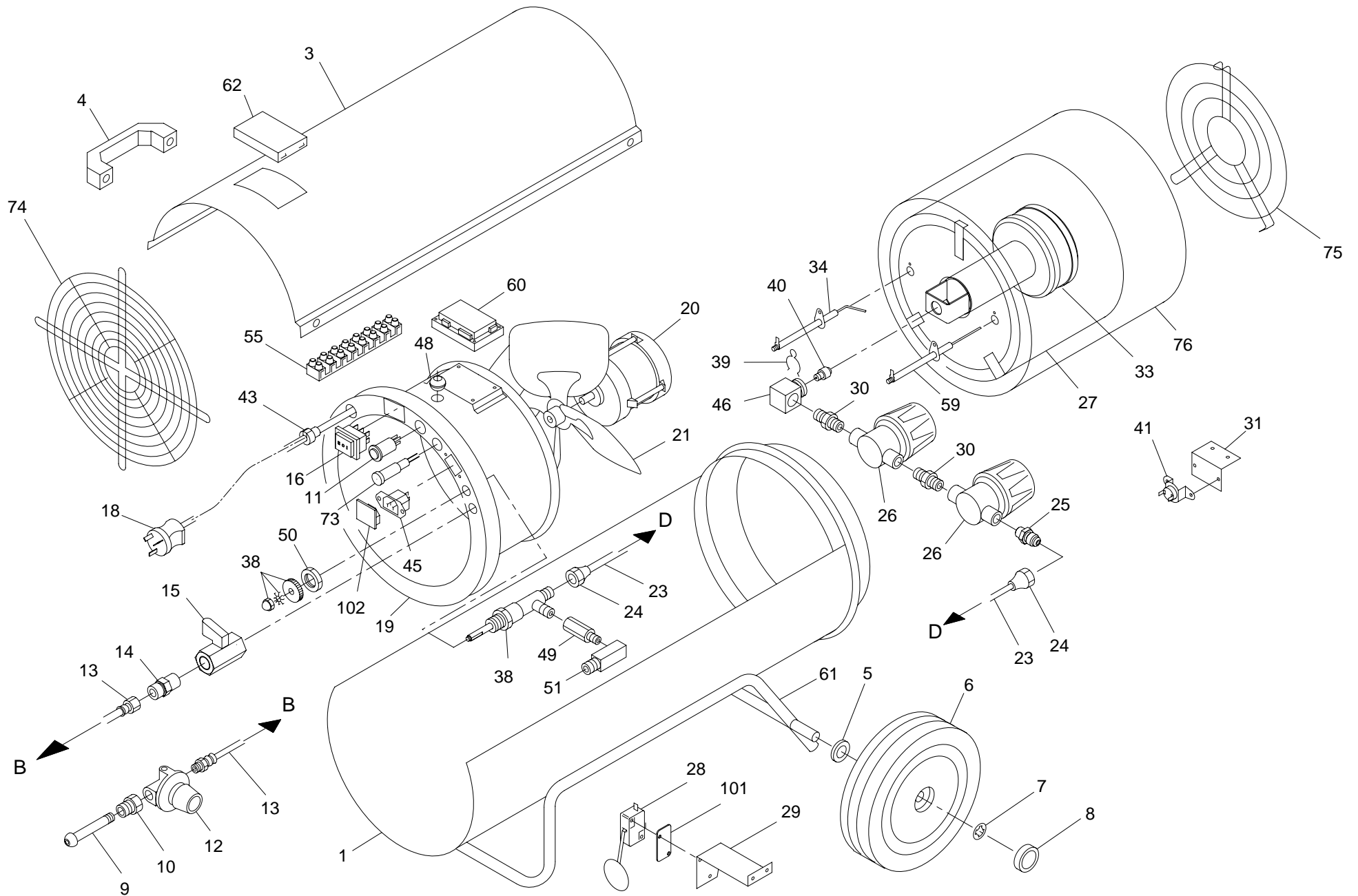
J8, J15 AU-NZ



J25 J33 AU-NZ



J25A J33A AU-NZ



J50A J70A J90A AU-NZ

